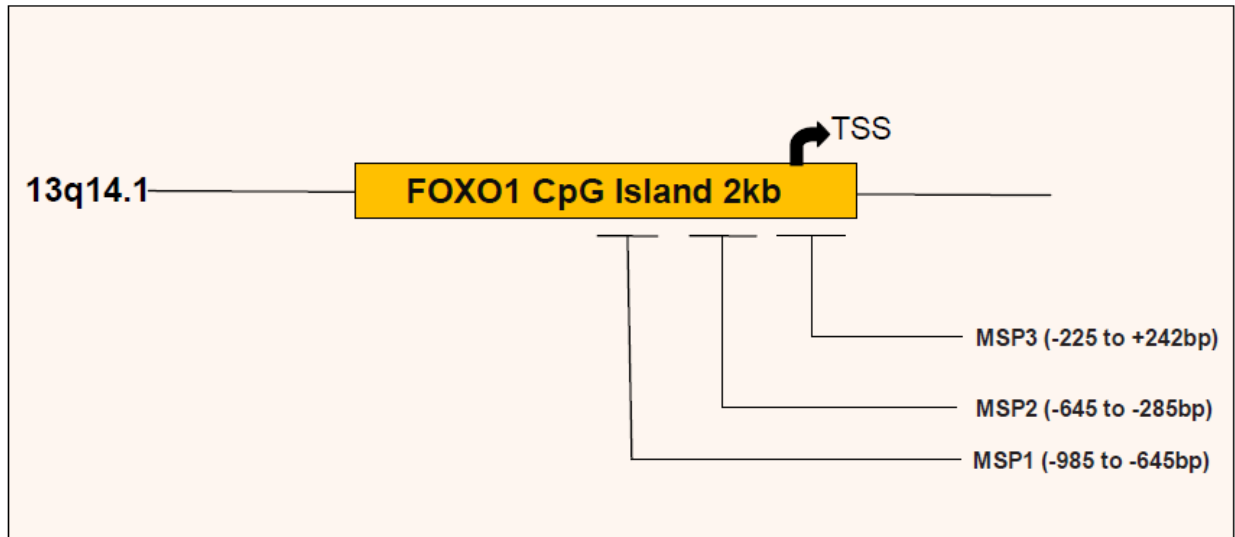


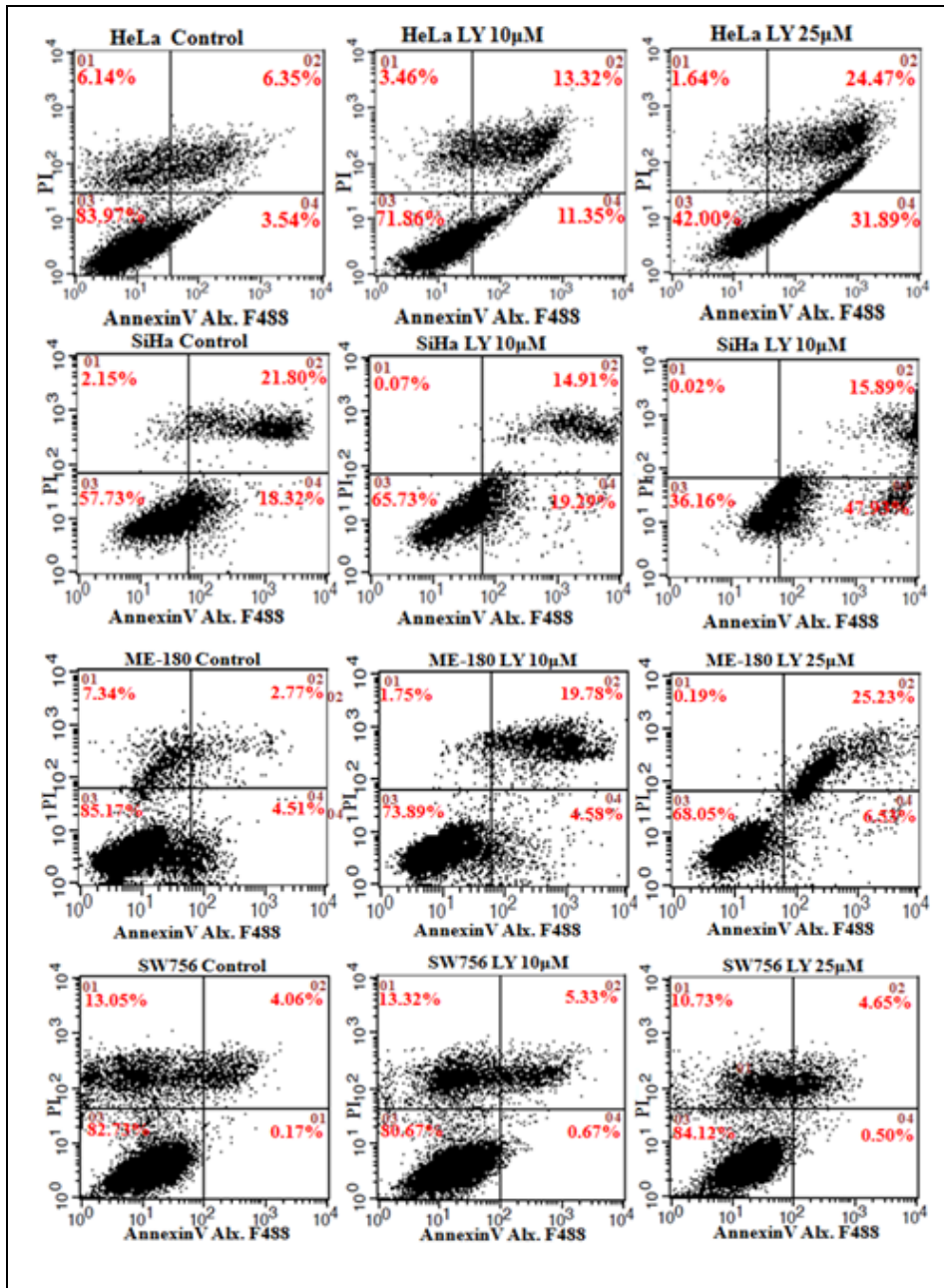
Supplementary Material

Figure S1



Cartoon showing the proximal FOXO1 gene promoter region harboring CpG-rich islands covering -1758 to +242 bp including the transcription start site (TSS).

Figure S2



The dot plots represent flow cytometric analysis for apoptosis. Cell lines HeLa, SiHa, ME-180 and SW756 were treated with LY294002 for 48hr. Each quadrant of dot plots was designated by 01, 02, 03 and 04. The quadrant (03) represents percentage of live cell. The quadrant (04) represents percentage of early apoptotic cells against treatment.

Table S1

SL No.	Gene		Primer sequence
1	FOXO1		FP5'-TTG GGT CAG GCG GTT CA-3'
			RP 5'-TGG ACA TGC TCA GCA GAC ATC-3
2	PIK3CA		FP 5'- GAA TTG GGA GAA CCC AGA CA -3'
			RP 5'-TCC AAT TCC CAA AAT GAA GG-3'
3	AKT1		FP 5'-GGT AGG AAC ACC ATG GAC AG-3'
			RP 5'-AAC CCT CCT TCA CAA TAG CC-3'
4	β-actin		FP5'-AAA TCT GGC ACC ACA CCT TC-3'
			RP5'-AGC ACA GCC TGG ATA GCA AC-3'
5	FOXO1	MSP1(-985 to -645bp)	MF5'-TCG GTT TTG GAT TTA GTG GAC-3'
			MR5'-CGA AAA ACC CTT CTC CGT AC-3'
			UF5'-TGT TGG TTT TGG ATT TAG TGG AT-3'
			UR5'-CAA AAA ACC CTT CTC CAT ACC C-3'
	FOXO1	MSP2 (-645 to -285bp)	MF5'-CGA TTG AGT AGA ATT TTT CGC-3'
			MR5'-AAC CAA CGT AAA AAC GCC-3'
			UF5'-GAG TGA TTG AGT AGA ATT TTT TGT-3'
			UR5'-AAC CAA CAT AAA AAC ACC AAC-3'
	FOXO1	MSP3 (-225 to +242bp)	MF 5'-TCG TTT TTT CGT GGA AAA TC-3'
			MR 5'-CTT ACT CTC CCC AAC GAC G-3'
			UF 5'-GTT GTT TTT TTG TGG AAA ATT-3'
			UR 5'-CTT ACT CTC CCC AAC AAC AC-3'

Primer sequences for RT-PCR and methyl specific PCR (MSP) of FOXO1.